

Dehumidifier

Demecto 70

EN

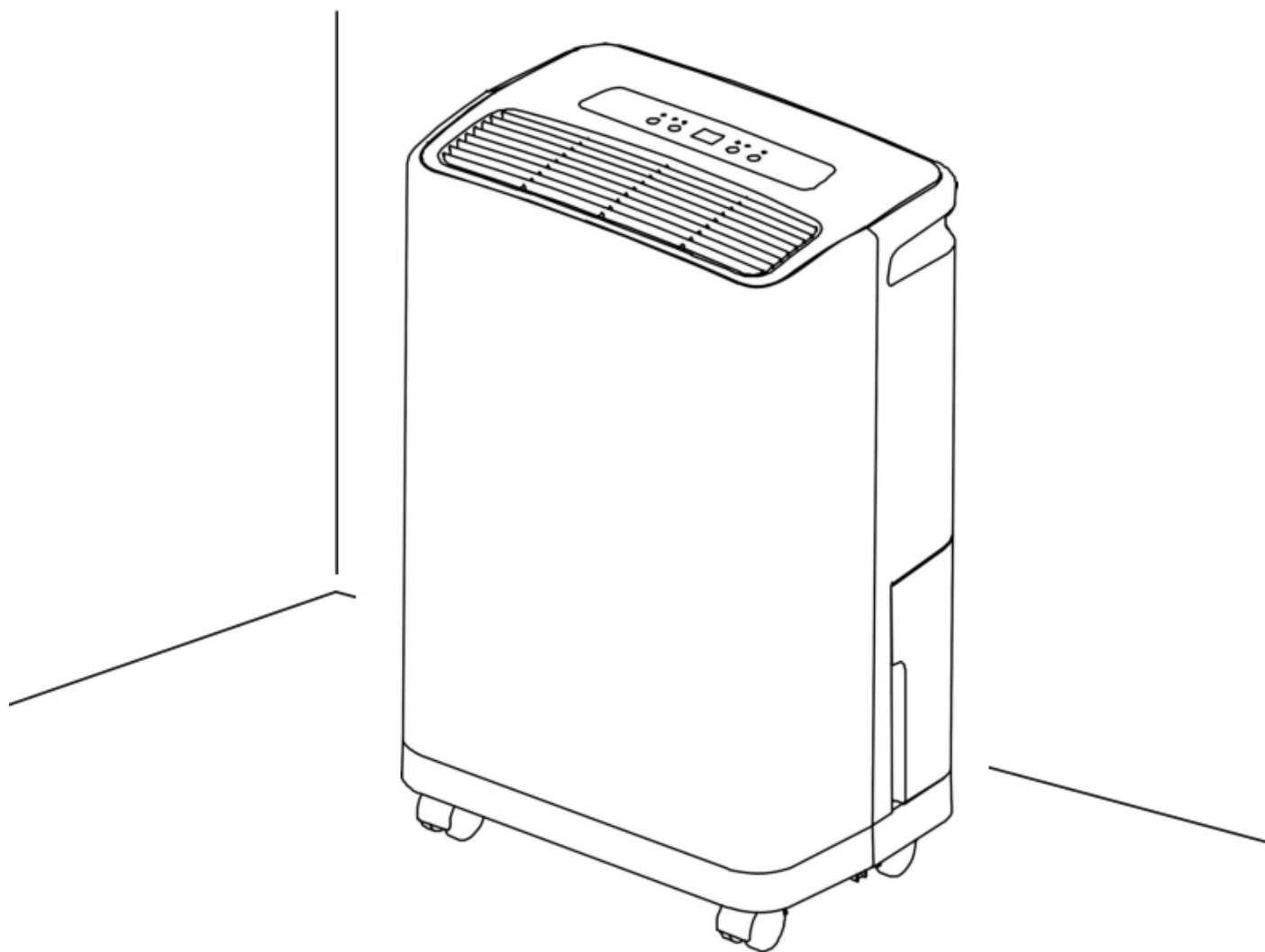


Table of contents

Foreword	2
Safety information	3-4
Intended use	5
Operating instructions	5
Technical data	6
Layout	7
Setting up instructions	8
Before starting up	8
Starting up	8-10
Hose drainage	10
Recommendations for drying with the Comedes Demecto 70	11-12
Maintenance	13
Frequently asked questions	14

EN

Dear customer,

Thank you for buying the Demecto 70 from Comedes GmbH.

You have purchased a powerful dehumidifier, which has been developed in accordance with the latest technical standards. To ensure that your device offers you faithful service for a long time, please study these operating instructions in detail, especially the safety information.

EN

If you still have any questions about the device after you have read the operating instructions, please do not hesitate to contact us:

E-mail address: service@comedes.com

If you give us your telephone number, we shall call you back free of charge.

We look forward to all customer feedback and would be delighted to hear from you.

Yours sincerely,



Philipp Thannhuber
Managing Director
Comedes GmbH

WARNING:

Be sure to read the instructions before using for the first time. Any errors made in following the safety information and instructions may result in an electric shock, fire and/or serious injury. Keep all the safety information and instructions in a safe place for future use.

Important:

Make sure that the power plug is removed from the socket outlet before opening the device. Electric shock can cause fatal injury. Have repairs carried out only by an authorized workshop.

EN

Safety information

- Please note that the operating voltage is 230V 50Hz.
- Use the ON/OFF switch to switch the device "ON and OFF". Do not under any circumstances use the plug to switch the device "ON and OFF".
- Do not insert any objects (screwdrivers, etc.) into the inside of the device.
- Place the machine on a stable, horizontal and dry surface.
- Do not clean the dehumidifier with water. Never spray the device with water.
- Do not clean the device with inflammable liquids or cleaning agents.
- Keep children away from the device.
- Never place any objects on the device and don't sit on the device.
- Do not touch the air vents.
- Never cover the air inlet or outlet vents. Make sure that sufficient clearance to surrounding walls or objects (minimum 50 cm to the sides and rear, and 50 cm to the top and front) is maintained.
- Do not use the device if the power cable is damaged.
- Do not use the device in a washing room.
- Do not use the device in hermetically sealed spaces.
- Do not use the device in enclosed spaces smaller than 15m².
- Do not use the device outside the operating temperature range of 5°C – 35°C.
- Always run the device for at least 35 minutes (**risk of damage to the compressor**). The fact that the device

- switches automatically in automatic mode is perfectly normal.
- Before you move the device, switch it off with the Off/On switch first, then pull out the power plug and empty the condensate collector.
 - Cable extensions used must have a wire cross-section of at least 1 mm².
 - Clean the air filter before it becomes heavily soiled. The device works most effectively with a clean filter.
 - Keep the water tank free of foreign bodies.
 - Set up the device well clear of heaters or other heat-generating units.
 - The device must not be used in environments containing lots of dust or chlorine.
 - Use the device only if your socket outlet is fitted with a residual current protective device (earth-leakage circuit-breaker) circuit-breaker.
 - The device is allowed to be used only by persons who are physically and mentally capable of operating it in accordance with these operating instructions, or by persons who have been given training on the use of the device by a responsible person.
 - Never switch the device on or off with wet hands.
 - Never attempt to carry out any repairs or modifications, either of an electrical or a mechanical nature, on the device yourself.
 - Do not allow children to play with any of the packaging such as sheets of plastic.
 - Keep a sufficient distance to the air outlet of the device.
 - Do not operate the appliance near explosive, flammable or corrosive materials.
 - Plug the power cord firmly and securely into the socket.
 - Operate the unit only to a grounded socket.
 - Do not operate the dehumidifier on a power strip or extension cable.
 - If the device switches off, also wait at least 10 minutes before restart.

Intended use

The dehumidifier is designed only for use for dehumidifying in privately used rooms (e.g. living rooms, bedrooms, storage areas or basements). The user must observe all the operational parameters specified in this manual.

EN

The device is allowed to be used only for its prescribed purpose. Any other use is deemed to be a case of misuse. The user/operator and not the manufacturer will be liable for any damage or injuries of any kind resulting from such misuse.

Operating instructions

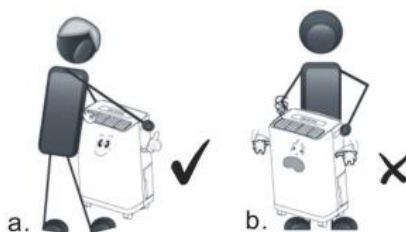
The device is designed for a temperature range of between 5°C and 35°C. At below 5°C the humidity level tends to be very low, such that there is no need for a dehumidifier. At above 35°C it is possible that the overheating guard will shut the device down automatically.

The device does not have approval for operation outside the given temperature range.

To enable the dehumidifier to dehumidify the air to optimum effect, it warms the air. The room temperature may therefore rise by 1-2 degrees. This is perfectly normal and increases the efficiency of the device.

To operate efficiently in energy terms, the device switches off automatically once the set humidity level has been reached. If the humidity level increases again, the device switches on again automatically.

Always take the device from the front when you want to carry it.



The device switches off automatically when the water tank is full.

Technical data

Product name:	Comedes Demecto 70
Voltage:	220~240V 50 Hz
Power rating:	930W
Dehumidifying capacity:	70 l / day (30°C 80% humidity)
Dehumidifying capacity (max.):	75 l / day
Weight:	18,6 kg
Permissible operating temperature:	5-35°C
Humidity operating range:	30-90% RH
Coolant / Quantity:	R410a/305g
Refrigerant group:	L1
Size of water tank:	4,8 l
Max. room size dehumidification:	120m ² (ceiling height 2,3m)
Max. room size keeping dry:	240m ² (ceiling height 2,3m)
Dimensions:	405 x 632 x 268 mm
Noise:	< 51 dB

EN

Layout

EN

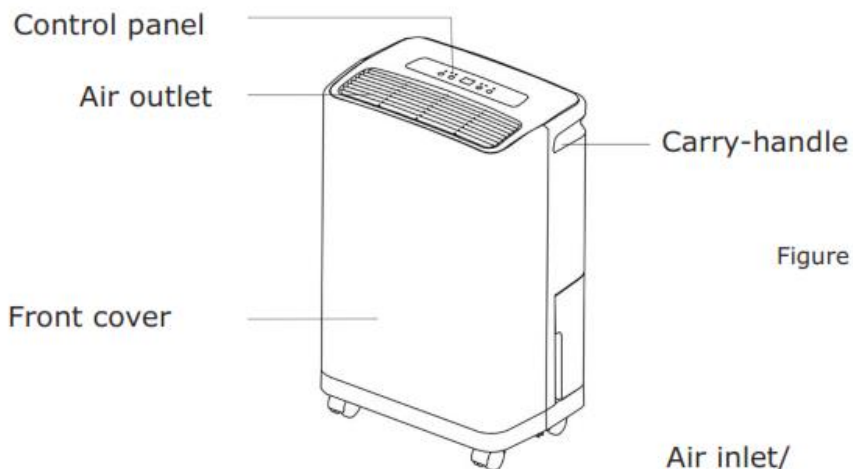
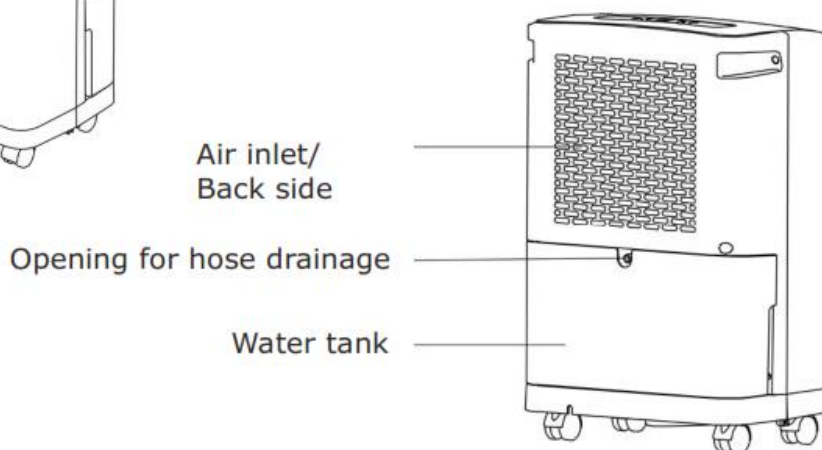
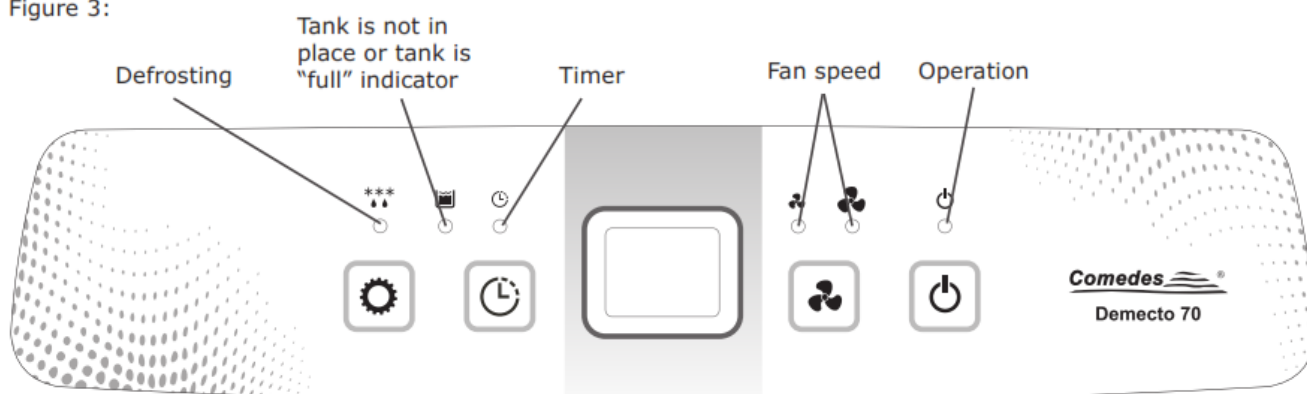


Figure 2:



Control Panel

Figure 3:



Setting up instructions

Remove all strips of adhesive tape which were used as transport braces. Make sure that the device is stood securely on a dry surface.

Ensure that the device cannot cause any water damage if water were to escape from water tank.

EN

Before you start the device, always let it stand in its final position for at least 2 hours to allow the refrigerant to settle and ensure that there is no risk of damage to the compressor.

Make sure that the device is not exposed to direct sunlight.

Check that the float is correctly positioned and moves easily.

Make sure that the water tank is correctly positioned.

Make sure that the socket outlet is fitted with a residual current protective device circuitbreaker (earth-leakage circuit-breaker).

If you are unsure whether this is the case, ask your electrician or use a personal protection plug (available from your DIY store).

To save power and to avoid potential danger, disconnect the device when it is not operated.

Before starting up

Make sure, that the unit is switched off.

Starting up

Check the cable for damage before you insert the power plug. The device may only be used if the power cable is in flawless condition. Plug in the power cable and switch the unit with the ON/OFF switch.

IMPORTANT: Always allow the device to run for at least 35 minutes before you switch it off, and never switch it on and off continuously in quick succession.

Otherwise there is a risk of damage to the compressor.

When the product shut down, please wait at least 3 minutes before moving the unit, so that all water can run into the water tank.

The higher the humidity in a room and the higher the temperature in that room, the more effectively the Comedes Demecto 70 can dehumidify the air.

The compressor therefore generates heat and warms up the air in the room. This is perfectly normal and is no cause for alarm.

ON-/OFF Button

Press this button to turn the unit on and press it again, to switch the unit off.

If the unit is switched on, the „operation“-LED flashes continuously.

If the unit has reached the setted humidity, the „operation“-LED flashes on and off.

Speed

Use this button to switch between the two fan speeds.

EN

Timer

With the timer you can set the start- and run-time of the unit. You can set the time between 1 and 24 hours. When the time is up, the unit will switch on or off.

When the timer LED is off, the unit is running in continuous mode.

To set a start time, press the timer button when the unit is in standby.

To set the run time of the dehumidifier, press the timer button when the unit is switched on. After setting the run time, the time will be shown for about 5 seconds on the display, then the current humidity is displayed again.

If you press the timer button again, the current run time will be displayed again for 5 seconds.

Humidity setting

The device is equipped with a modern hygrostat (humidistat) and turns off automatically after the desired humidity is reached, to save power. If the humidity increase in the room again, the Comedes Demecto 70 will automatically restart. Repeatedly pressing the humidity setting button, a target humidity of CO, 30%, 35%, 40%, 45%, 50%, 55%, 60%, 65%, 70%, 75%, 80%, 85%, 90% and AU could be set. The hysteresis of the device is approximately 3%.

During operation, the current humidity is displayed on the display. If the actual humidity is below 35% the display will show „LO“. When the humidity is above 95% the display will show „HI“.

Memory Function

The unit has a memory function that saves the fan speed and target humidity setting when the unit is switched off. If the dehumidifier is switched on again, it starts with the saved settings.

Continuous operation (CO):

With the setting „CO“, the unit will dehumidify with maximum capacity and won't switch off till the water tank is full.

Comfort mode (AU):

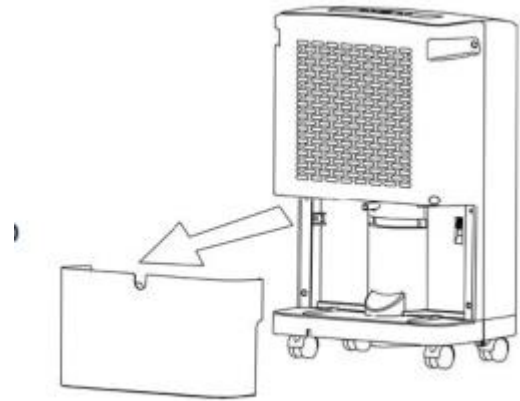
With this setting, the unit operates in an automatic mode, which is influenced by temperature.

1. At a temperature below 5 ° C, the compressor stops.
2. At a temperature between 5 ° C and 20 ° C, a target humidity of 60% is automatically set.
3. At a temperature between 20 ° C and 27 ° C, a target humidity of 55% is automatically set.
4. At a temperature above 27 ° C, a target humidity of 50% is automatically set.

Important: After setting a value, don't press any other button within 5 seconds, to save the setting.

Emptying water tank:

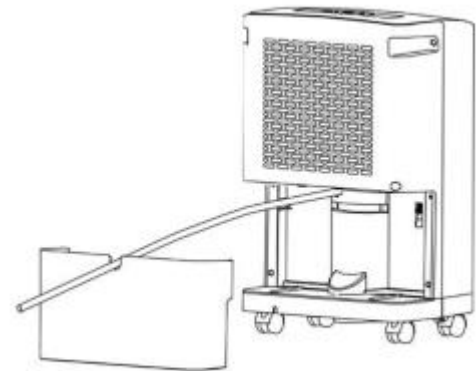
If the water tank is full, the Comedes Demecto 70 switches off automatically and the red LED (tank "full" indicator, Fig. 3) will light up. You need to empty the water tank before you can continue using the Demecto



EN

Hose drainage

The Comedes Demecto 70 can also be operated with a drainage hose. To do so, remove the water tank and fix a drainage hose $\varnothing 12\text{mm}$ (not included). Put the hose into the recess on the tank, insert the tank again and guide the hose into a drain channel. Make sure that the drain is not higher than the connection on the device, to ensure that the water can drain off unhindered.



Recommendations for drying with the Comedes Demecto 70

To achieve the best possible dehumidifying results with the Demecto 70 while using as little energy as possible, we offer the following tips: Since this manual can only offer a limited amount of advice, we would recommend that you consult the more detailed information available at: www.luftentfeuchter-tipps.de



Basic principles of dehumidifying with the Comedes Demecto 70

The dehumidifier works in a similar way to a refrigerator with a refrigeration machine. This generates a cold surface (on the vaporizer) on which water condenses. Depending on the humidity and ambient temperature the water condenses at dew point temperature. To enable the dehumidifier to dehumidify, the temperature of the cold surface must be below the dew point temperature. Given that the water would freeze if the dew point temperature was negative, the dehumidifier only works if the dew point temperature is positive. To ensure that this is the case, the dehumidifier is equipped with a modern, temperature-controlled automatic defroster which maintains the vaporizer temperature between approximately 0°C and 5°C. For effective dehumidifying the dew point temperature for the Demecto 70 needs to be above 5°C. If the dew point temperature is below this level, dehumidifying will either not be possible at all or only very inefficiently. Refer to the following table to determine the dew point temperature in your particular case. Where dew point temperatures are too low it is advisable to turn on the heating. Gas radiant heaters are not suitable therefore.

Roomtemp.	20%	25%	30%	35%	40%	45%	50%	55%	60%	65%	70%	75%	80%	85%	90%	95%
30°C	4,6	7,8	10,5	12,9	14,9	16,8	18,4	20	21,4	22,7	23,9	25,1	26,2	27,2	28,2	29,1
29°C	3,8	7,2	9,7	12	14	15,9	17,5	19	20,4	21,7	23	24,1	25,2	26,2	27,2	28,1
28°C	3	6,1	8,8	11,1	13,1	15	16,6	18,1	19,5	20,8	22	23,2	24,2	25,2	26,2	27,1
27°C	2,1	5,3	8	10,2	12,2	14,1	15,7	17,2	18,6	19,9	21,1	22,2	23,3	24,3	25,2	26,1
26°C	1,3	4,5	7,1	9,4	11,4	13,2	14,8	16,3	17,6	18,9	20,1	21,2	22,3	23,3	24,2	25,1
25°C	0,5	3,6	6,2	8,5	10,5	12,2	13,9	15,3	16,7	18	19,1	20,3	21,3	22,3	23,2	24,1
24°C	-0,3	2,8	5,4	7,6	9,6	11,3	12,9	14,4	15,8	17	18,2	19,3	20,3	21,3	22,3	23,1
23°C	1,1	1,9	4,5	6,7	8,7	10,4	12	13,5	14,8	16,1	17,2	18,3	19,4	20,3	21,3	22,2
22°C	-2	1,1	3,6	5,9	7,8	9,5	11,1	12,5	13,9	15,1	16,3	17,4	18,4	19,4	20,3	21,2
21°C	-2,8	0,2	2,8	5	6,9	8,6	10,2	11,6	12,9	14,2	15,3	16,4	17,4	18,4	19,3	20,2
20°C	-3,6	-0,3	1,9	4,1	6	7,7	9,3	10,7	12	13,2	14,4	15,4	16,4	17,4	18,3	19,2
19°C	-4,4	-1,4	1	3,2	5,1	6,8	8,3	9,8	11,1	12,3	13,4	14,5	15,5	16,4	17,3	18,2
18°C	-5,3	-2,3	0,2	2,3	4,2	5,9	7,4	8,8	10,1	11,3	12,5	13,5	14,5	15,4	16,3	17,2
17°C	-6,1	-3,1	-0,6	1,4	3,3	5	6,5	7,9	9,2	10,4	11,5	12,5	13,5	14,5	15,3	16,2
16°C	-6,9	-4	-1,4	0,5	2,4	4,1	5,6	7	8,2	9,4	10,5	11,6	12,6	13,5	14,4	15,2
15°C	-7,7	-4,8	-2,2	-0,3	1,5	3,2	4,7	6,1	7,3	8,5	9,6	10,6	11,6	12,5	13,4	14,2
14°C	-8,6	-5,7	-2,9	-1	0,6	2,3	3,7	5,1	6,4	7,5	8,6	9,6	10,6	11,5	12,4	13,2
13°C	-9,4	-6,5	-3,7	-1,9	-0,1	1,3	2,8	4,2	5,5	6,6	7,7	8,7	9,6	10,5	11,4	12,2
12°C	-10,2	-7,4	-4,5	-2,6	-1	0,4	1,9	3,2	4,5	5,7	6,7	7,7	8,7	9,6	10,4	11,2
11°C	-11,1	-8,2	-5,2	-3,4	-1,8	-0,4	1	2,3	3,5	4,7	5,8	6,7	7,7	8,6	9,4	10,2
10°C	-11,9	-9,1	-6	-4,2	-2,6	-1,2	0,1	1,4	2,6	3,7	4,8	5,8	6,7	7,6	8,4	9,2
8°C	-13,6	-10,8	-8,5	-6,5	-4,8	-3,2	-1,8	-0,5	0,67	1,8	2,83	3,82	4,77	5,66	6,48	7,32
6°C	-15,2	-12,5	-10,2	-8,3	-6,6	-4,49	-3,07	-2,1	-1,05	-0,08	0,85	1,86	2,72	3,62	4,48	5,38
4°C	-16,9	-14,2	-12	-10	-8,4	-6,11	-4,88	-3,69	-2,61	-1,79	-0,88	-0,09	0,78	1,62	2,44	3,2
2°C	-18,6	-15,9	-13,7	-11,8	-10,2	-7,77	-6,56	-5,43	-4,4	-3,16	-2,48	-1,77	-0,98	-0,26	0,47	1,2
0°C	-20,2	-17,6	-15,5	-13,6	-12	-10,5	-9,2	-7,9	-6,8	-5,8	-4,8	-3,9	-3	-2,2	-1,4	0,7

Drying to deal with problems with condensation damp

Condensation damp generally occurs in basements when moist air penetrates the basement in summer and condenses on the cold walls of the basement. We recommend that you dehumidify the basement, room by room, in continuous operation. To start, run the device in continuous operation mode until you see that the amount of water that you are emptying out of the tank each day starts to reduce.

Then move the device to the next room. Once you have dried all the rooms in this way we recommend that you select a central location for the device and then run it in automatic mode. We recommend a humidity setting of around 50% to 60%.

This method of dehumidifying is more efficient in energy terms than dehumidifying in automatic mode from the start, because if you do that, the device will switch on and off a lot.

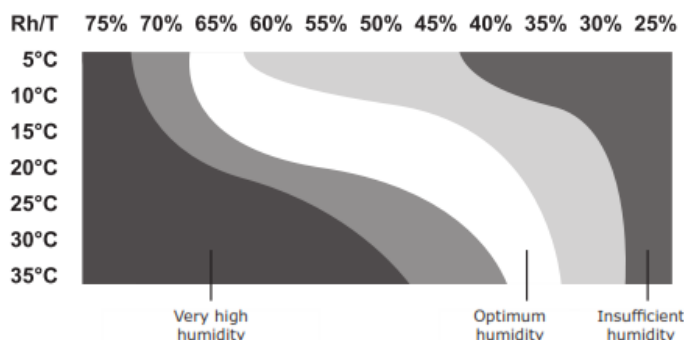
EN

Drying to deal with building defects or water damage

In the case of building defects or water damage, the cause needs to be eliminated first. Once this has been done the rooms can be dried using condensation driers such as the Demecto 70. In this case the dehumidifier is run in continuous operation mode. The ambient temperature needs to be at least 20°C (but not above 27°C). Additional heating can be provided by an electric heater if necessary. Gas radiant heaters are not suitable! To generate the air circulation required, fans can be used in the room. Please note that the insulation layer may also need to be dried, depending on the nature of the building defects. This will have to be undertaken by a specialist firm.

Recommended humidity levels for rooms

As a general rule this is dependent on the ambient temperature. The higher the temperature of the room, the lower the setting for the relative humidity needs to be, otherwise it will encourage the growth of fungus or mold in the room. A pleasant level of humidity is between 35% and 65% relative humidity, depending on the ambient temperature. The following diagram provides a point of reference for the optimum level of humidity at different ambient temperatures.



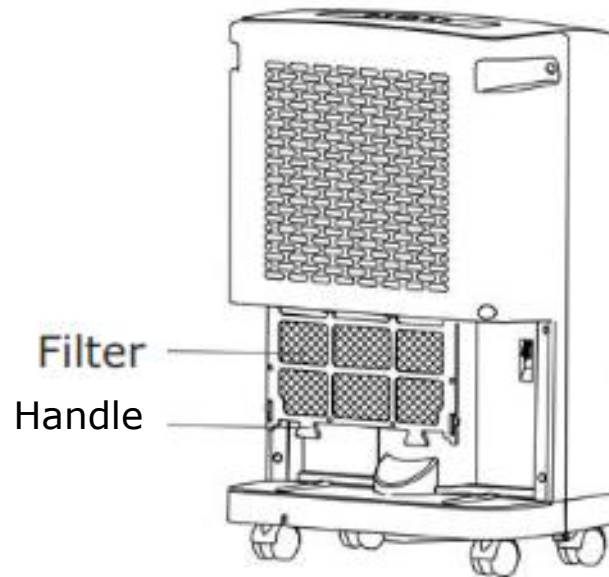
The diagram is based on the assumption that temperatures $\geq 20^\circ\text{C}$ are for living quarters and temperatures $\leq 20^\circ\text{C}$ are for basement quarters.

Maintenance

The Comedes Demecto 70 is largely maintenance-free. To maintain the level of dehumidifying efficiency you need to clean the filter at least once a month, or more often if necessary.

EN

To do this, switch off the device, pull the power cable and remove the water tank at the back of the device. Now you can pull down the nylon filter. Rinse the filter with warm water and allow to dry. Then you can fit it back on the device.



Check the hose used for the drainage regularly for blockages and damage. If the hose is blocked or damaged, replace it with a new one.

Frequently asked questions (FAQ)

For our latest operating instructions please go to: www.comedes.com

EN

The device does not start.

1. Is the device plugged in correctly?
2. Is the water tank positioned correctly?
3. Is the red lamp on?
4. Is the fuse burned out?
5. If the above points are ok, try again in 10 minutes.
6. If the device is still not working, please contact service@comedes.com

Inadequate dehumidifying results.

1. Is the dust filter soiled?
2. Is the air inlet or outlet vent blocked?
3. Is the temperature or humidity too low? (see the dew point table on page 11)

The device does not switch off in automatic mode.

1. Are the doors and windows closed?
2. Is there a device in the room which generates vapor or steam?
3. Is the room too large?

The device is very loud.

1. Is it stood on a firm, suitable surface?
2. Is the device in contact with the wall of the room?
3. If the floor is tiled, we recommend that you place a piece of carpet underneath.

The fuse constantly burns out.

The RCD (earth-leakage circuit-breaker) constantly trips. Stop using the device and contact us at: service@comedes.com

The power cable or the plug get excessively warm.

Stop using the device and contact us at: service@comedes.com

There are objects or water in the device.

Stop using the device and contact us at: service@comedes.com

Error Code	Error	Procedure
E1	Temperature sensor defect	Please contact service@comedes.com
E2	Humidity sensor defect	Please contact service@comedes.com



Don't dispose this product with household waste. This dehumidifier must be returned to a collection station for electronic and electrical equipment. For further information on these collection stations, please contact your local municipal administration, or the Comedes GmbH.



Comedes GmbH

Geschäftsführer:
Philipp Thannhuber

Vierhöfen 1
94522 Wallersdorf

service@comedes.com
www.comedes.com

Version: 082018Demecto70